



Dc injector



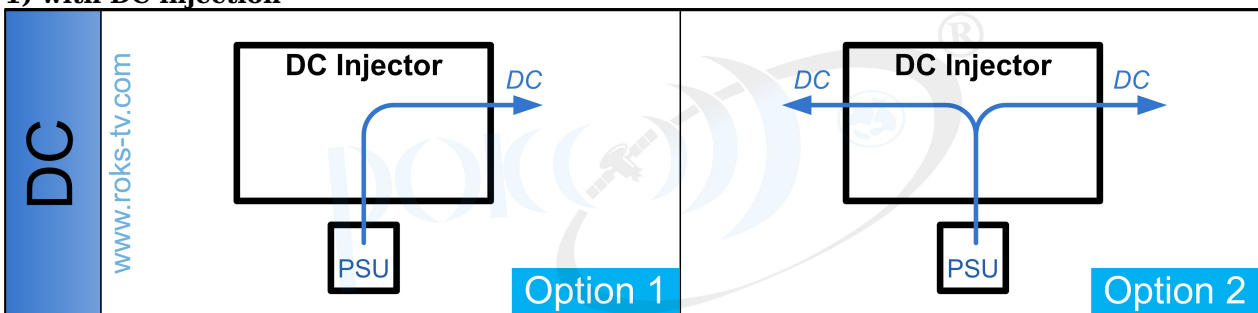
The DC Injector can supply LNB and/or BUC with same VDC via radio-frequency cable.
The DC Injector can supply LNB and/or BUC with same VDC via radio-frequency cable.

KEY FEATURES:

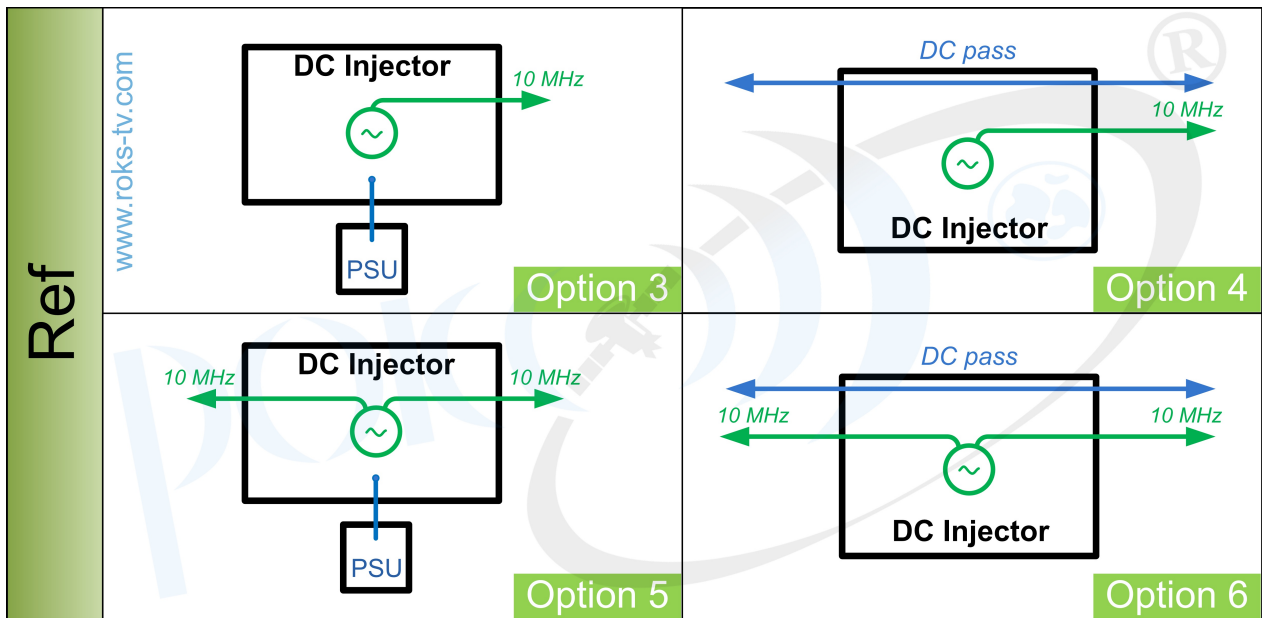
- DC Injector has easy-to-use connectors of **banana jack** type
- DC Injector can be supplied by **reference generator** of 10 MHz (optional)

The DC Injector can be manufactured in the following **8 modifications**:

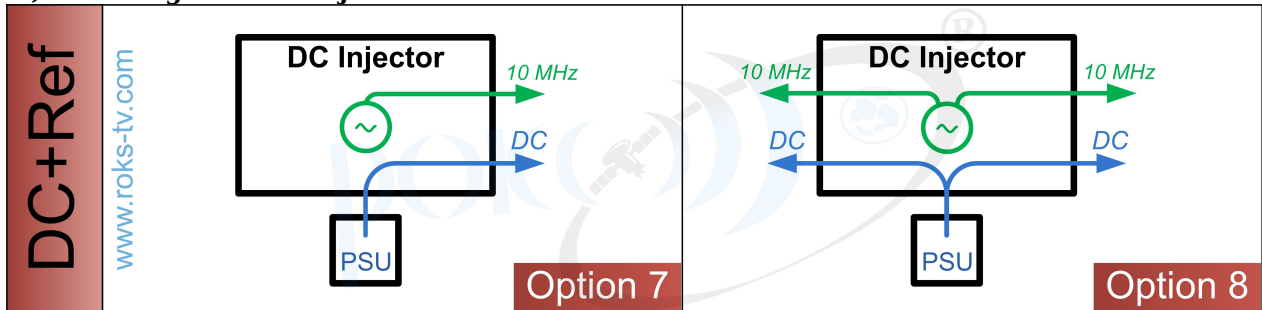
1) with DC injection



2) with reference of 10 MHz



3) including both DC injection and reference



Parameter	Value
Frequency Range	950-2150 MHz
Impedance & type of RF connectors	50Ω N-type; 75Ω F-type
Insertion Loss	<1.0 dB (full band)
Flatness	± 0.5 dB (full band) ± 0.2 dB (Any 36MHz)
Return Loss	17 dB
LNB Load	Up to 4 A maximum
Dimensions	115x45x80 mm
Weight	0.15 kg

Taking into consideration that we (ROKS PrJSC) are developer and system integrator, also do not stop on our technical growth and improvement, know that view of all our devices and equipment including their technical parameters may be different from pictures presented on website and parameters listed on each device webpage.

Note! All details customer has to confirm in advance during ordering and before payment. Those parameters that were not specified and / or were not agreed while ordering will be implemented as basic at the discretion of the manufacturer. Each our customer has 1.5 year warranty and 7 year aftersales support for whole range of our products.